

Industrial Articulated Robot

This industrial robot is widely used in burnishing, polishing, machine loading/unloading and automatic transport on punching automation production lines. It features a payload capacity of 8 kg and a repeatability of ± 0.05 mm.

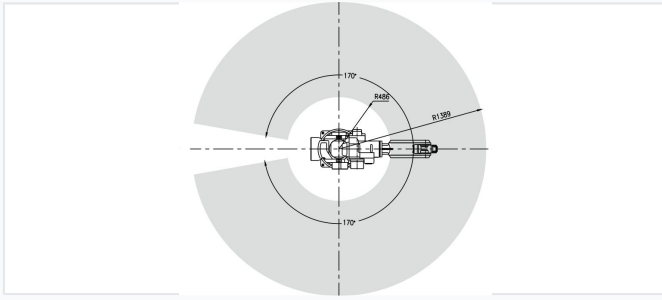


Overview

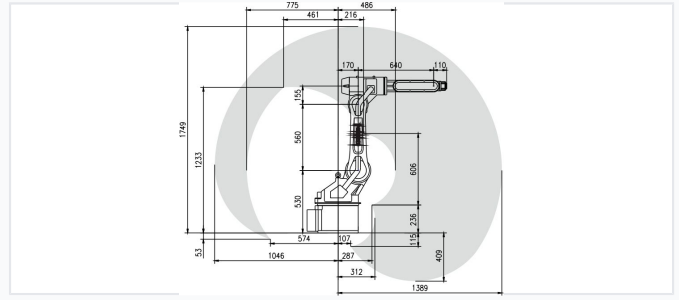
Industrial Articulated Robot

This high-performance industrial robot is engineered for versatility and precision in demanding manufacturing environments. Featuring 6 degrees of freedom and an 8 kg payload capacity, it is ideal for tasks such as burnishing, polishing, machine loading/unloading, and automated transport on production lines. Its robust construction and advanced servo drive system ensure reliable, high-speed operation with minimal maintenance requirements.

Technical Specifications



Visual representation of the robot's spatial reach and motion range, showing a 170-degree range of motion.



Detailed dimensional drawing for engineering and integration planning.

Core Performance Metrics

6 DOF

Degrees of Freedom

8 kg

Payload Capacity

0.05 mm

Repeatability

1389 mm

Motion Radius

180 kg

Machine Weight

Motion Range

| Axis | Range (°) |
|------|------------|
| J1 | ±170 |
| J2 | +120 ~ -85 |
| J3 | +75 ~ -155 |
| J4 | ±180 |
| J5 | ±135 |
| J6 | ±360 |

Velocity and Torque

| Axis | Top Velocity (°/s) | Top Torque (N.m) |
|------|--------------------|------------------|
| J1 | 154 | - |
| J2 | 154 | - |
| J3 | 154 | - |
| J4 | 420 | 14 |
| J5 | 252 | 12 |
| J6 | 620 | 7 |

Drive System

AC Servo Drive

Applications

Common Applications

Burnishing, Polishing, Machine Loading/Unloading, Automatic Transport, Punching Automation