

220V AC Cooling Fan 172x172x51mm

This AC cooling fan operates at 220V and measures 172x172x51mm. It is designed for efficient heat dissipation in various applications.



ADDITIONAL IMAGES

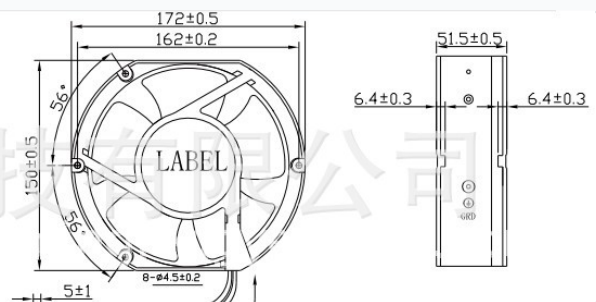
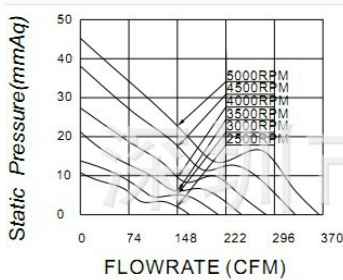


Overview

High-Performance Industrial Cooling

This 220V AC cooling fan is engineered for demanding industrial applications, featuring a robust die-cast aluminum housing and glass fiber reinforced plastic impellers. Designed for efficient heat dissipation in compressors and large-scale instruments, it offers high insulation impedance and superior resistance strength. With options for both ball and sleeve bearings, it provides a reliable solution for maintaining optimal operating temperatures in professional equipment.

Physical Dimensions



Detailed dimensions and mounting hole specifications for the 172mm fan series.

Dimensions

172 mm

Width

172 mm

Height

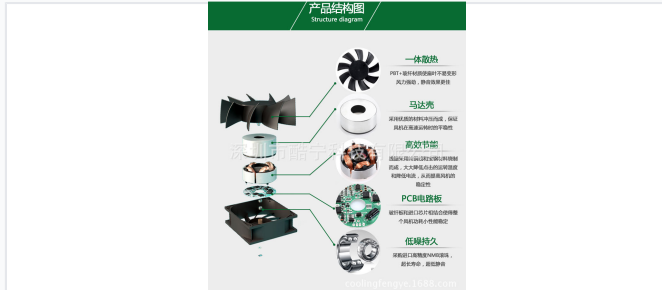
51 mm

Depth

Technical Specifications

Rated Voltage	220 V
Insulation Impedance	500 M Ω
Resist Strength	2200V/S

Material & Construction



Internal view showing pure copper coils, PBT fiberglass blades, and high-precision bearings.



Comparison of bearing technologies: Ball bearings offer longer life for high-speed use, while sleeve bearings provide lower noise.

Housing Material	Die-cast aluminum
Impeller Material	Glass fiber reinforced plastic (UL 94V-0 rating)
Wiring	High-temperature copper line
Bearing Types Available	Ball Bearing, Oil-impregnated Sleeve Bearing

Connectivity



Available terminal types including XH, EH, and SM connectors with various wire gauges.

Interface Options

- Leader wire
- Terminal connector

Performance Data

DC Variant Reference Chart

Voltage (V)	Current (A)	Speed (RPM)	Air Flow (CFM)	Noise (dB-A)
12	0.8	2500	172.21	56.1
12	2.4	3000	209.4	58.3
24	0.4	2500	172.2	56.1
24	1.2	3000	209.4	58.3
48	0.2	2500	172.21	56.1
48	0.6	3000	209.4	58.3

Quality & Warranty

Warranty Period

- Ball Bearing: 2 Years
- Sleeve Bearing: 1 Year

Installation Guidelines

Usage Precautions

- Do not exceed 80°C operating environment
- Avoid dust, water, and insect ingress
- Ensure screw torque does not exceed 4Kgf
- Do not pull power lines or press blades during operation
- Avoid dropping from heights over 60cm to protect bearing balance