

# 1.25G SFP Duplex LC 1310/1550nm Optical Module

This 1.25G SFP optical module features a duplex LC connector and supports 1000Base-LX/LH. It is designed for single-mode fiber, with transmission distances ranging from 10km to 120km.



## ADDITIONAL IMAGES

**Payment**  
T/T by bank is our preferable payment method, we also accept different payments such as: LC, Western Union, Paypal and Escrow

**T/T LC** **WESTERN UNION** **Paypal** **ESCROW**

**Shipment**  
Lead time based on our strong production capacity normally the product can ready within 3 days if the qty of the order is more than 1000pcs, maybe we need a little more time.  
Delivery methods big order could be by sea or air, small volume could be by Express.  
14 DAYS FOR QUALITY INSURANCE

**Warranty**  
All products have been checked and packed in good condition after our serious QC test. If you have any question, pls feel free to contact us, we would get it solved in limited time and our service would make you trust us.  
**3 years normal warranty is provided**

**Remark**  
We answer all your inquiries in 8 hours or less guaranteed, pls feel free to contact us below.  
Trade Manager: Baudcom  
Skype: robert.lu@baudcom  
Tel: +86 20 37100092 or +86 20 37100093 (24 hours for you)  
[www.baudcom.com.cn](http://www.baudcom.com.cn)



## Overview

### High-Performance 1.25G SFP Transceiver

This 1.25G SFP optical module is a high-performance, cost-effective solution for serial optical data communications. Designed for Gigabit Ethernet and Fiber Channel links, it features a duplex LC connector and supports transmission distances ranging from 10km to 120km over single-mode fiber. The module is hot-pluggable and fully compliant with the SFP Multi-Source Agreement (MSA) for seamless integration into professional networking equipment.

## Key Performance Metrics

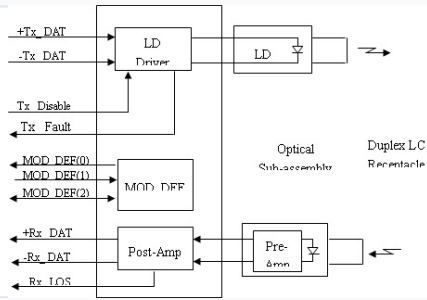
### Performance Highlights

**1.25 Gbps**  
Data Rate

**100 km**  
Max Distance

**3.3 V**  
Supply Voltage

## Technical Specifications



Internal architecture showing the Tx/Rx sections, LD driver, and optical sub-assembly for the Duplex LC interface.

Wavelength	1310nm, 1550nm
Connector Type	Duplex LC
Fiber Type	Single-mode Fiber (SMF) 9/125 $\mu$ m
Power Dissipation	700 mW

## Compliance & Standards

### Standards Compliance

- SFP Multi-Sourcing Agreement (MSA)
- IEEE Std 802.31 Gigabit Ethernet
- IEEE 802.3z 1000BASE-LX
- FC-P1 13.03 (1x/2x Fiber Channel)

### Certifications

CE • Class 1 Laser Product

## Applications

### Primary Applications

- Switch to switch interface
- High speed I/O for file servers
- Bus extension applications
- Gigabit Ethernet links

## Operational Limits

### Supply Voltage Ratings

Parameter	Symbol	Min	Max	Unit
Maximum Supply Voltage	Vcc	0.5	4.5	V

## Features

### Physical Features

- Hot-pluggable SFP footprint
- Metal enclosure for lower EMI
- Very low jitter
- FP/DFB Laser transmitter